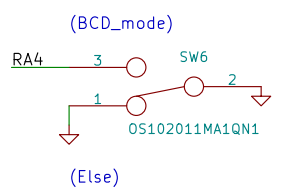
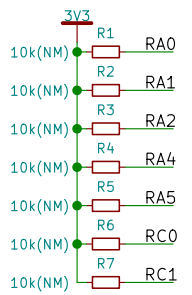
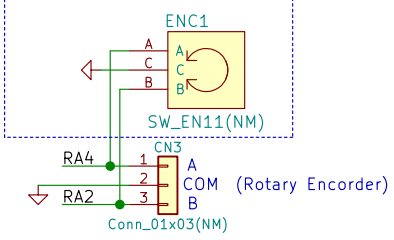
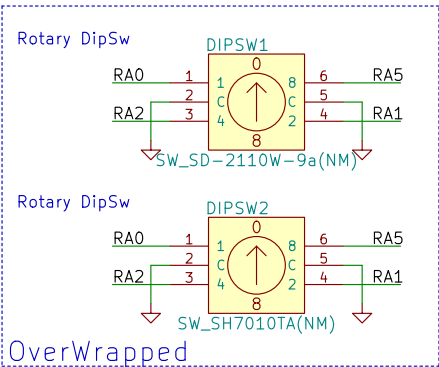
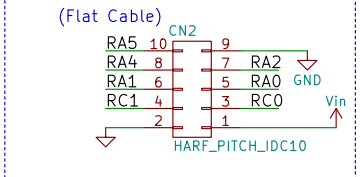


Mount-ENC(AUX5C-ENC)



*1. NM: No_Mount

AUX5C

Sheet: /		File: AUX5C.sch	
Title:			
Size: A4	Date:	Rev:	
KiCad E.D.A. kicad 4.0.7		Id: 1/1	