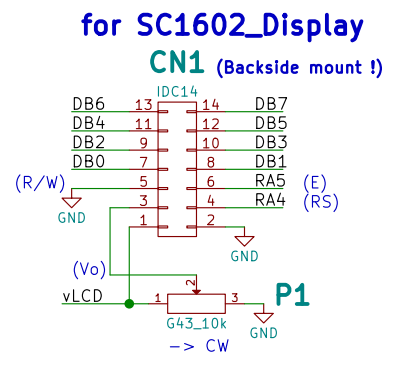


Optional mount:
CN3, CN4, P1, SW1, LED1, R1, R2, R3



LCDiiCr2

Sheet: /		File: LCD_iiCr.sch	
Title:			
Size: A4	Date: 2017.01.14	Rev: 00	
KiCad E.D.A. kicad 4.0.4-stable		Id: 1/1	